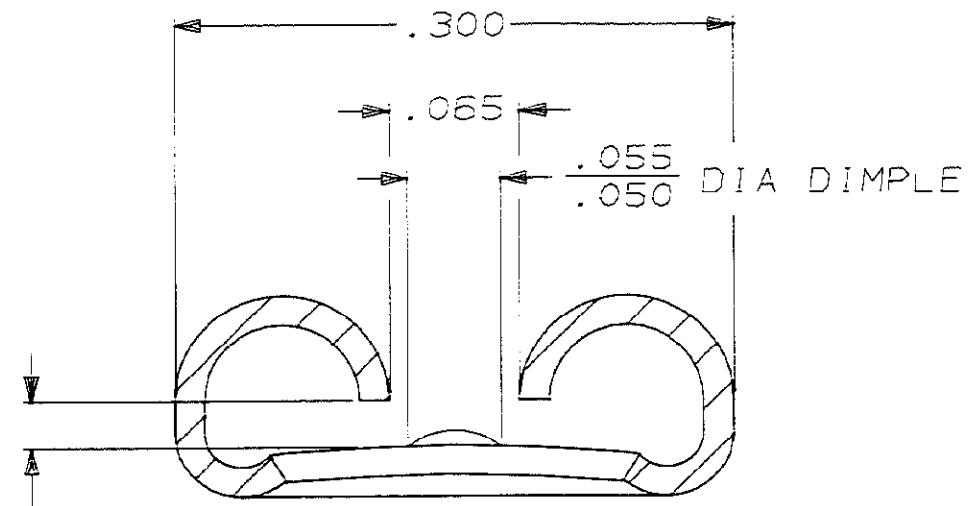
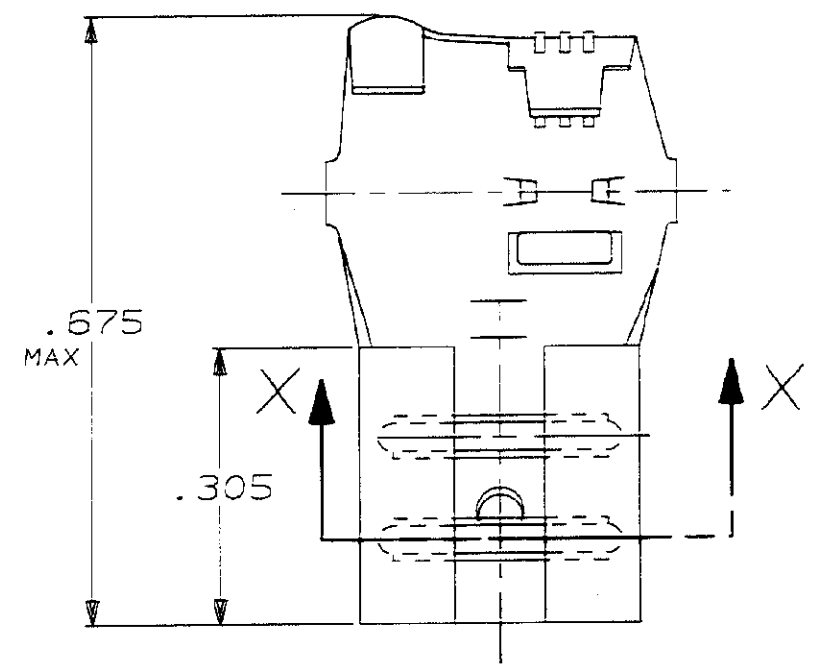


THIS DRAWING IS UNPUBLISHED. RELEASED FOR PUBLICATION
 © COPYRIGHT 19 BY AMP .047

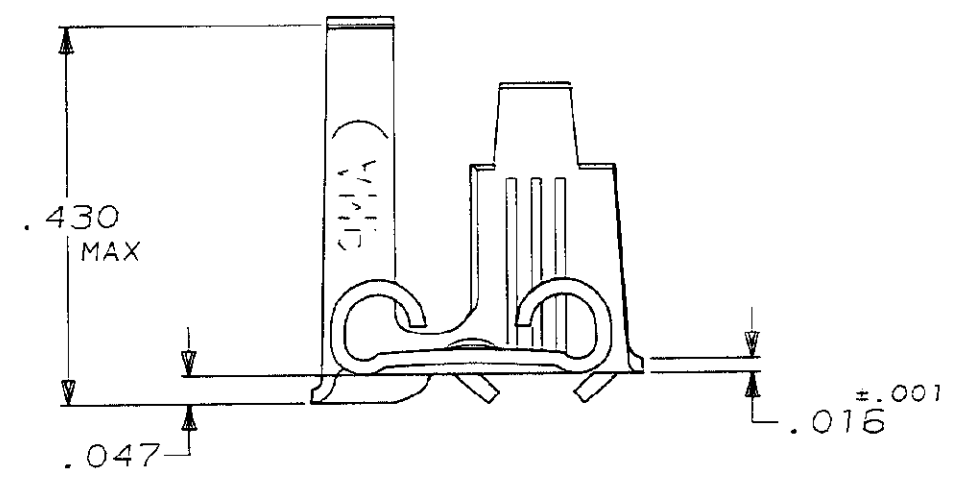
LOC	DIST			REVISIONS				
AF	50	P	F	ZONE	LTR	DESCRIPTION	DATE	APPD
					C	REDRAWN AF-7370	4/5/91	JR

1 CONTINUOUS STRIP ON REELS



FITS .250 SERIES FASTON TABS

SECTION X-X
 SCALE 10:1



.110-.210 DIA	#18-#12 AWG	.032	42404-1
INSUL RANGE	WIRE SIZE	MATING TAB THK ±.001	PART NO
DO NOT SCALE PRINT. UNLESS SPECIFIED DIMENSIONS ARE IN INCHES TOLERANCES ON: 2 PLC DEC = - 3 PLC DEC = .010 ANGLES = -	DR 4/5/91 JR RUTH	AMP AMP Incorporated Harrisburg, PA 17105-3608	
	CHK 4/5/91 MS FEHER		
	APPD 4/5/91 C MEYERS	NAME RECEPTACLE, FLAG, FASTON, .250 SERIES	
	APPD 4/5/91 D REINER		
MATERIAL T2 STEEL	PRODUCT SPEC -	SIZE B	CAGE CODE 00779
FINISH NICKEL	APPLICATION SPEC -	DRAWING NO 42404	
	WEIGHT -	SCALE 5:1	SHEET 1 OF 1

CUSTOMER DRAWING